

卧式 & 立式
Horizontal & Vertical

不锈钢多级离心泵

STAINLESS STEEL MULTISTAGE CENTRIFUGAL PUMP



高效可靠的标准化产品
Efficient And Reliable Premium Products

目录 INDEX

CHM

轻型卧式不锈钢离心泵
Horizontal Stainless Steel Multistage
Centrifugal Pump



技术要求 | **02**
Technical Requirements

零部件分解图 | **04**
Exploded View Of Main Component

CHM2.....	06
CHM4.....	07
CHM8.....	08
CHM12.....	09
CHM16.....	10
CHM20.....	11

CDL/CDLF

立式不锈钢多级离心泵
Vertical Stainless Steel Multistage
Centrifugal Pump



技术要求 | **12**
Technical Requirements

零部件分解图 | **14**
Exploded View Of Main Component

CDL/CDLF 1.....	16
CDL/CDLF 2.....	17
CDL/CDLF 3.....	18
CDL/CDLF 4.....	19
CDL/CDLF 5.....	20
CDL/CDLF 8.....	21
CDL/CDLF 12.....	22
CDL/CDLF 16.....	23
CDL/CDLF 20.....	24
CDL/CDLF 32.....	25
CDL/CDLF 42.....	27
CDL/CDLF 65.....	28
CDL/CDLF 85.....	29



空调冷却系统
Air Conditioning
Cooling



水处理系统
Water
Treatment



供水系统
Water supply
system



渔业及农业
Fishery Industry
& Agriculture

CHM

轻型卧式不锈钢离心泵

Horizontal Stainless Steel Multistage
Centrifugal Pump



产品用途

CHM 系列轻型卧式不锈钢离心泵，是目前市场上比较成熟的一款产品，结构紧凑运行稳定，运行噪音低，水泵效率高达 44-70%，过水部件全部为不锈钢 AISI304 材质，广泛应用于：

1. 空调冷却系统
2. 水处理系统：水清洗、水过滤
3. 供水系统：管路输送、楼房增压
4. 渔业及农业应用：水产养殖、农田喷灌滴灌

Application

CHM series horizontal stainless steel multistage centrifugal pump is a relatively mature product on the market currently which is with compact structure and stable working, low operating noise, efficiency up to 44-70%. All water passing components are made of stainless steel AISI304 .It is widely used in

1. Air Conditioning Cooling system & HVAC system
2. Water Treatment: Water Cleaning and Water Filtering
3. Water supply system: Pipeline delivery and building booster
4. Fishery Industry and Agriculture: Aquaculture, Farm sprinkling irrigation & drip irrigation



CHM/IV
(变频 / Invertor)

使用条件

1. 介质温度: -15~105°C
2. 最大环境温度: +45°C
3. 最大环境压力: 10 Bar
4. 介质物理性状:

- 清水及类似于水的液体 (无纤维, 固体颗粒直径 ≤ 2mm 且比例 ≤ 3%)
- 防冻液 (主成分为乙二醇)
- 轻腐蚀性液体 (PH 值 5-9)
- 全系橡胶件标配 EPDM, 禁止输送矿物油

5. 海拔高度高于 1000 米, 以及介质粘度大于清水, 需加大水泵余量以避免电机过热

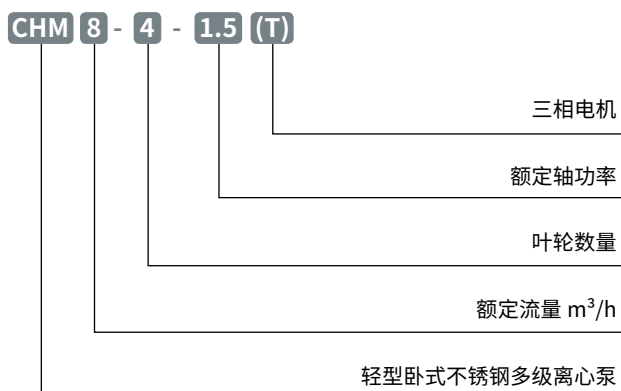
Working Conditions

1. Liquid Temperature: -15~105°C
2. Maximum Ambient Temperature: +45°C
3. Maximum Pressure: 10 Bar
4. Medium Physical Properties:

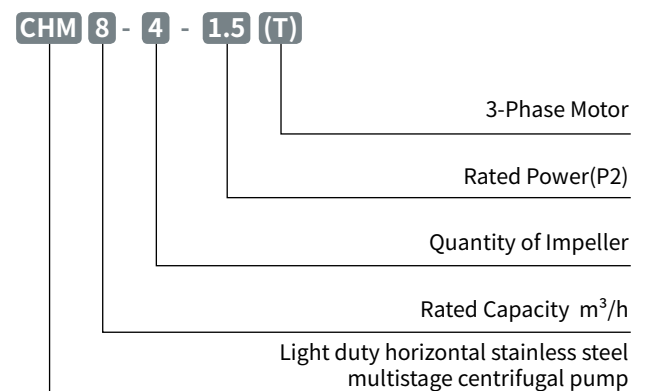
- Clean water or similar water liquid (without fiber, suspends solid ≤ 3% & diameter ≤ 2mm)
- Antifreeze Liquid (Main component: glycol)
- Mild corrosive liquid (PH 5-9)
- Seal rubber in pump is EPDM (it could not be used to deliver the MINERAL OIL)

5. If the altitude is higher than 1000 meters and the viscosity of the medium is greater than that of clean water, it is necessary to increase the margin of the water pump to avoid overheating of the motor.

型号定义

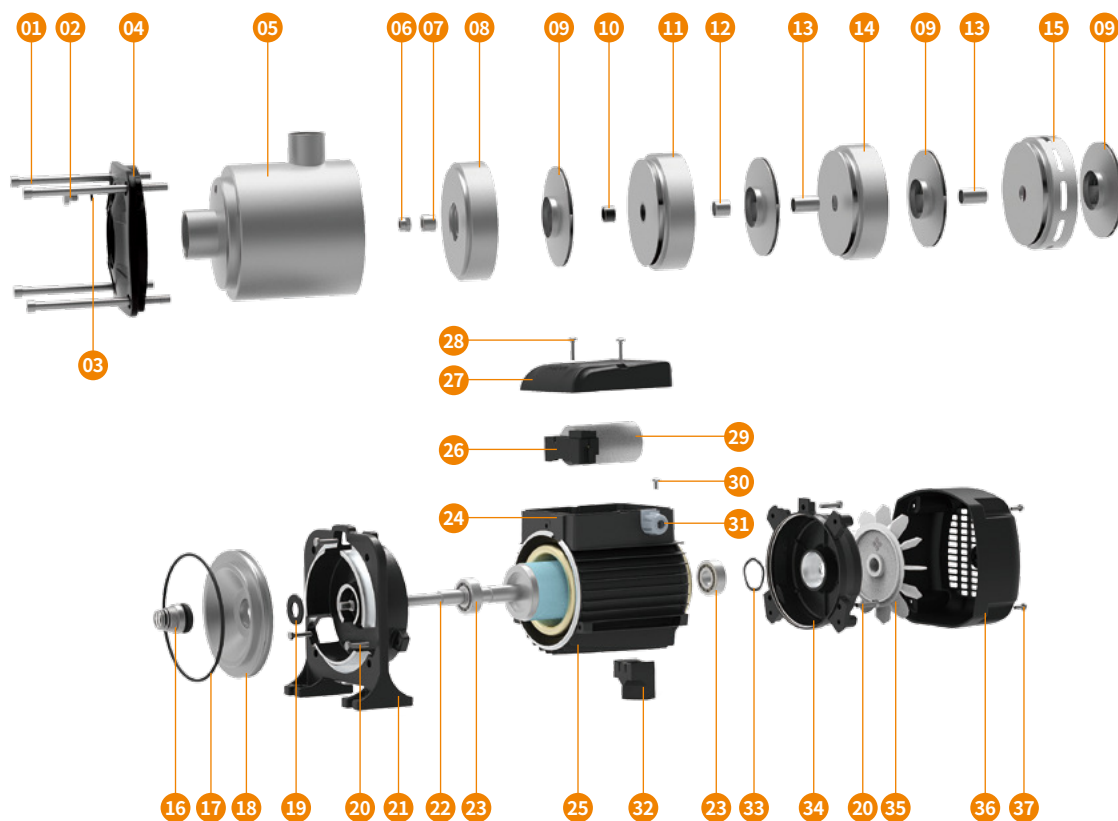


Model Definition



CHM2/4 零部件分解图

Exploded View Of Main Component

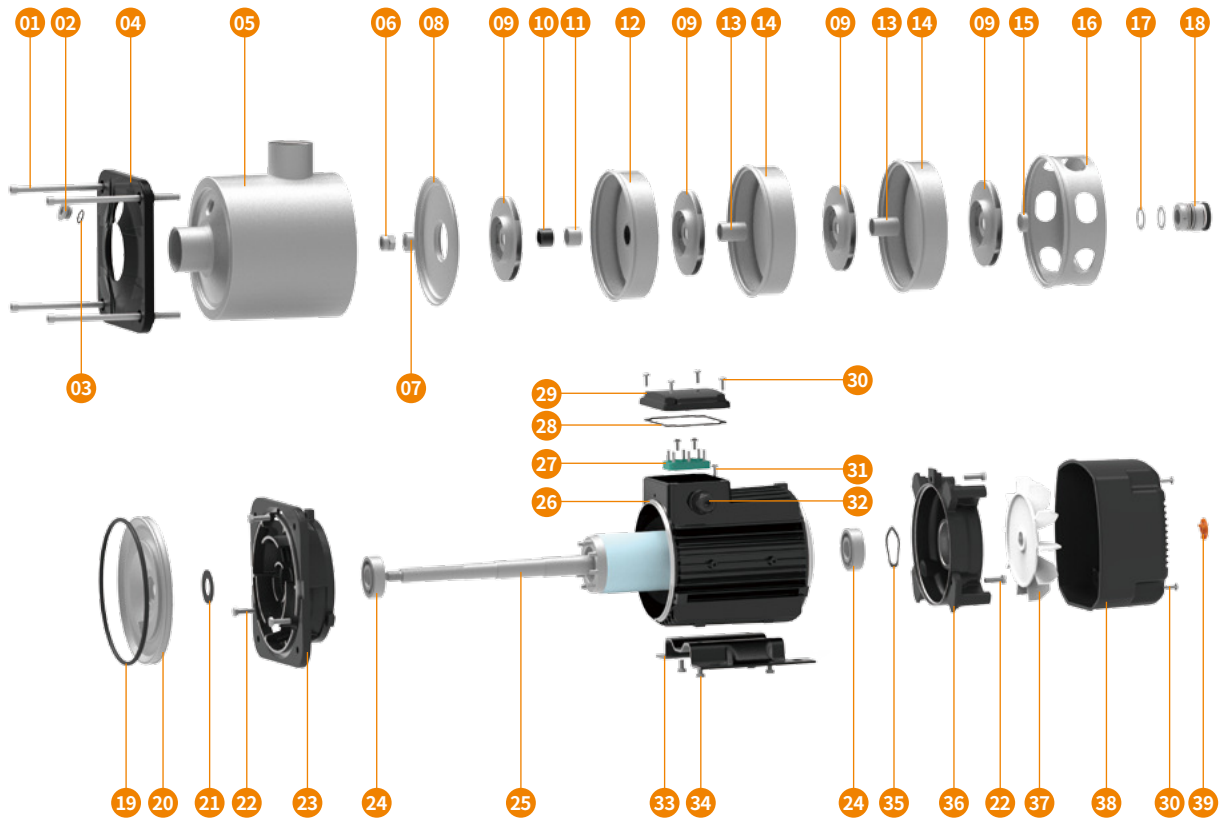


主零部件清单 List Of Main Component

序号 No.	零件名称 Component	材料 Material	序号 No.	零件名称 Component	材料 Material	序号 No.	零件名称 Component	材料 Material
01	螺栓 Screw	SUS201	14	导叶 Diffuser	AISI304	27	接线盒 Terminal Box	
02	外六角凹槽放气钉 Drain Screw	AISI304	15	出水导叶 Outlet Diffuser	AISI304	28	螺钉 Screw	
03	密封圈 O-ring	三元乙丙 EPDM	16	密封件 Mechanical Seal	石墨 + 碳化硅 Graphite+SIC	29	电容器 Capacitor	
04	压板 Pump body Cover	HT200	17	密封圈 O-ring	三元乙丙 EPDM	30	螺钉 Screw	
05	泵体 Pump body	AISI304	18	衬盘 Lining Disk	AISI304	31	拉不脱 Cable Fairlead	PP
06	防松螺母 Locknut	AISI304	19	拦水环 Drop Guard	丁腈 NBR	32	CM 橡胶底脚 Bottom Support	
07	末级定位套 Final Stage Location Sleeve	AISI304	20	外六角螺丝 Screw		33	波形垫片 Spring Washer	
08	进水导流器 Inlet Diffuser	AISI304	21	前盖 Bracket	HT200	34	后盖 Back Cover	HT200
09	叶轮 Impeller	AISI304	22	转子 Rotor	304 焊接轴 Welding Shaft With AISI304	35	风叶 Fan	
10	钨钢轴套 Tungsten Steel Shat Sleeve	钨钢 Tungsten Steel	23	轴承 Bearing		36	风罩 Fan Cover	PP
11	支撑导叶 Support Diffuser	AISI304	24	出线塞 Coil Cork	丁腈 NBR	37	螺钉 Screw	
12	轴套 Shat Sleeve	AISI304	25	带绕组机壳 Motor				
13	轴套 Shat Sleeve	AISI304	26	接线支柱 Terminal Board	PBT			

CHM8/12/16/20 零部件分解图

Exploded View Of Main Component



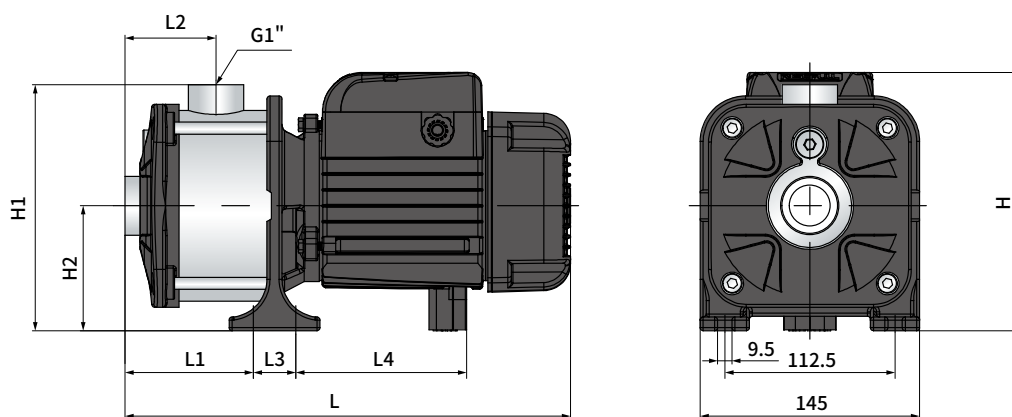
主零部件清单 List Of Main Component

序号 No.	零件名称 Component	材料 Material	序号 No.	零件名称 Component	材料 Material	序号 No.	零件名称 Component	材料 Material
01	螺栓 Screw	SUS201	14	导叶 Diffuser	AISI304	27	接线板 Terminal Board	
02	内六角放气钉 Drain Screw	AISI304	15	初级定位套 First Stage Location Sleeve	AISI304	28	接线盒垫片 Terminal Box	丁腈 NBR
03	密封圈 O-ring	三元乙丙 EPDM	16	出水导叶 Outlet Diffuser	AISI304	29	接线盒 Terminal Box	铝 Aluminum
04	压板 Pump body Cover	HT200	17	平垫片 Flat Gasket	AISI304	30	螺钉 Screw	
05	泵体 Pump body	AISI304	18	机械密封件 Mechanical Seal	石墨+碳化硅 Graphite+SIC	31	螺钉 Screw	
06	防松螺母 Locknut	AISI304	19	密封圈 O-ring	三元乙丙 EPDM	32	螺套 Cable Fairlead	
07	末级定位套 Final Stage Location Sleeve	AISI304	20	衬盘 Lining Disk	AISI304	33	底脚 Support	
08	进水导叶 Inlet Diffuser	AISI304	21	拦水环 Drop Guard		34	内六角螺钉 Screw	
09	叶轮 Impeller	AISI304	22	外六角螺钉 Screw		35	波形垫片 Spring Washer	
10	钨钢轴套 Tungsten Steel Sleeve	钨钢 Tungsten Steel	23	前盖 Bracket	HT200	36	后盖 Back Cover	HT200
11	轴套 Shat Sleeve	AISI304	24	轴承 Bearing		37	风叶 Fan	
12	支撑导叶 Support Diffuser	AISI304	25	转子 Rotor	304 焊接轴 Welding Shaft With AISI304	38	风罩 Fan Cover	PA6
13	轴套 Shat Sleeve	AISI304	26	带绕组机壳 Motor		39	风罩 LOGO Rubber LOGO	硅胶 Silicone

CHM2

技术参数 Performance Data

型号 Model	功率 Power		Q m ³ /h	0.5	1.0	1.5	2.0	2.5	3.0	3.5
	kW	HP								
CHM2-2-0.33	0.33	0.45	H (m)	19	18	16.5	15	13	10	7.5
CHM2-3-0.37	0.37	0.5		28	26.5	24.5	22	19	15.5	12
CHM2-4-0.55	0.55	0.75		36	34.5	33	29	25	20.5	16
CHM2-5-0.55	0.55	0.75		45.5	43	40	36	31.5	26.5	20.5
CHM2-6-0.75	0.75	1		53.5	51	48	44	39	32	24



尺寸和重量 Dimension and Weight

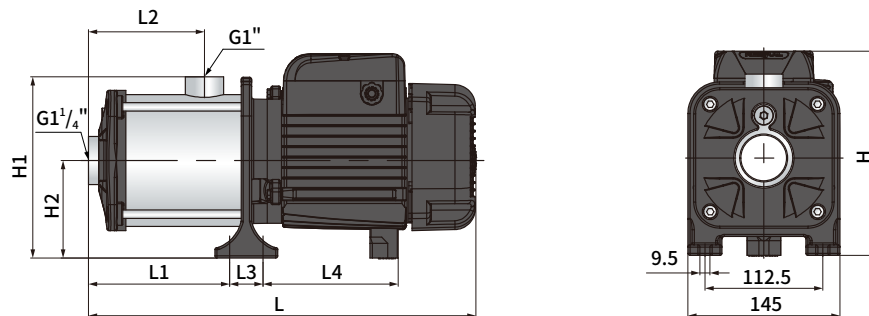
电机 Motor	型号 Model	尺寸 Dimensions(mm)								重量 Weight (kg)
		L	L1	L2	L3	L4	H	H1	H2	
三相 / 单相 Three-phase Single-phase	CHM2-2-0.33	286	76	52	28	113	171	172	83	5.5
	CHM2-3-0.37	304	94	70	28	113	171	172	83	6.5
	CHM2-4-0.55	345	114	88	32	129	195	183	93	9.8
	CHM2-5-0.55	363	132	106	32	129	195	183	93	11.5
	CHM2-6-0.75	381	150	124	32	129	195	183	93	12.9

CHM4

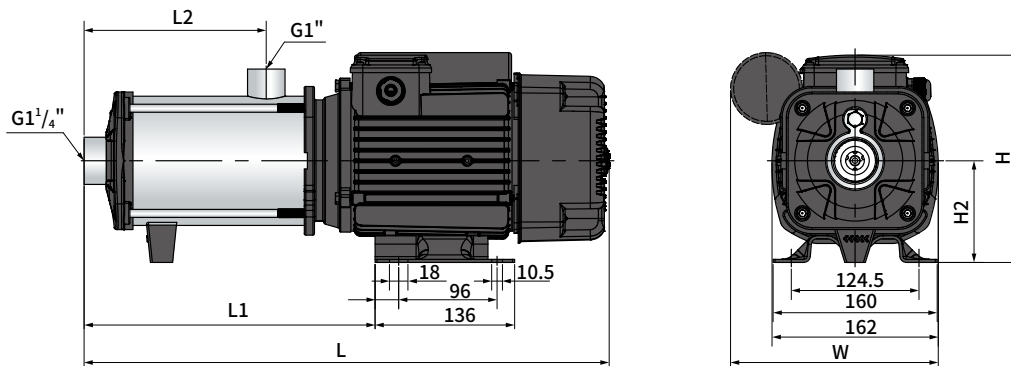
技术参数 Performance Data

型号 Model	功率 Power		Q m ³ /h	1	2	3	4	5	6	7
	kW	HP								
CHM4-2-0.37	0.37	0.5	H (m)	19	18	17	15	12.5	10	8
CHM4-3-0.55	0.55	0.75		28	27	26	23.5	20.5	17	13
CHM4-4-0.75	0.75	1		37.5	36	34	31	27	23	19
CHM4-5-1.1	1.1	1.5		47	45	43	40	34	31	23
CHM4-6-1.5	1.5	2		56	54	52	48	41	37	28

CHM4-2/3/4



CHM4-5/6



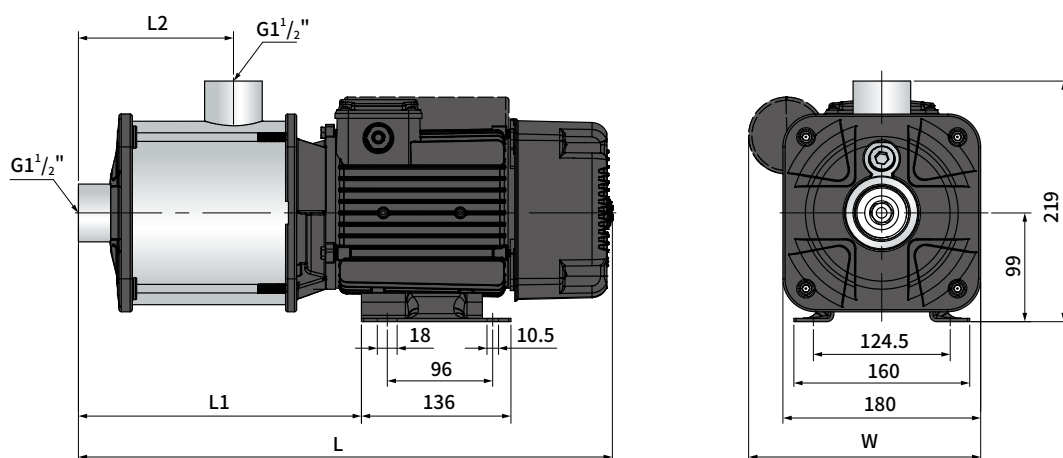
尺寸和重量 Dimension and Weight

电机 Motor	型号 Model	尺寸 Dimensions(mm)									重量 Weight (kg)
		L	L1	L2	L3	L4	H	H1	H2	W	
三相 / 单相 Three-phase Single-phase	CHM4-2-0.37	307	94	70	28	113	171	172	83	-	7.3
	CHM4-3-0.55	357	123	97	32	129	195	183	93	-	9.8
	CHM4-4-0.75	384	150	124	32	129	195	183	93	-	11.8
	CHM4-5-1.1	485	257	151	-	-	202	-	99	-/203	22
	CHM4-6-1.5	512	284	178	-	-	202	-	99	-/203	24

CHM8

技术参数 Performance Data

型号 Model	功率 Power		Q m ³ /h	5	6	7	8	9	10	11
	kW	HP								
CHM8-1-0.55	0.55	0.75	H (m)	10	9.5	9.3	9	8	7.5	7
CHM8-2-0.75	0.75	1		20	19.5	19	18	17	15.5	14
CHM8-3-1.1	1.1	1.5		29.5	29	28	27	25	23	21
CHM8-4-1.5	1.5	2		39	38	37	35	33	30.5	27.5
CHM8-5-2.2	2.2	3		51	49.5	47.5	45	42.5	39.5	36



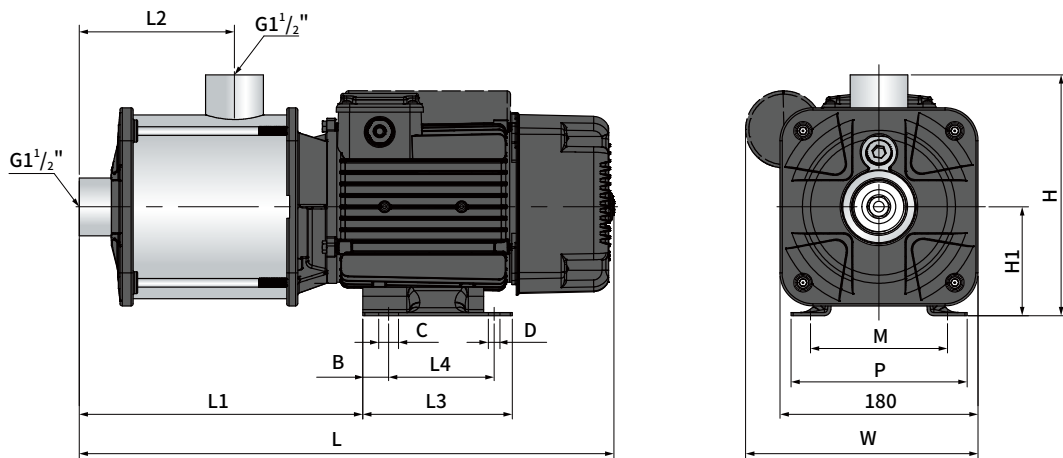
尺寸和重量 Dimension and Weight

电机 Motor	型号 Model	尺寸 Dimensions(mm)				重量 Weight (kg)
		L	L1	L2	W	
三相 / 单相 Three-phase Single-phase	CHM8-1-0.55	426	198	81	-/211	14.8
	CHM8-2-0.75	426	198	81	-/211	15.5
	CHM8-3-1.1	456	228	111	-/211	18.6
	CHM8-4-1.5	486	258	141	-/211	21.8
	CHM8-5-2.2	516	288	171	-/211	25

CHM12

技术参数 Performance Data

型号 Model	功率 Power		Q m ³ /h	7	8	9	10	11	12	13	14	15	16
	kW	HP											
CHM12-1-0.75	0.75	1	H (m)	11.5	11.2	11	10.5	10	9.5	9	8	7	6
CHM12-2-1.2	1.2	1.6		23	22.5	22	21.5	20.5	19.5	18.5	17	15.5	13
CHM12-3-1.8	1.8	2.4		35	34.5	33.5	32.5	31	29.5	28	26	23.5	20
CHM12-4-2.4	2.4	3.2		47	46	45	43.5	41.5	39.5	37.5	35	31.5	27.5
CHM12-5-3	3	4		60	58	56.5	55	52.5	50	47	44	40	35



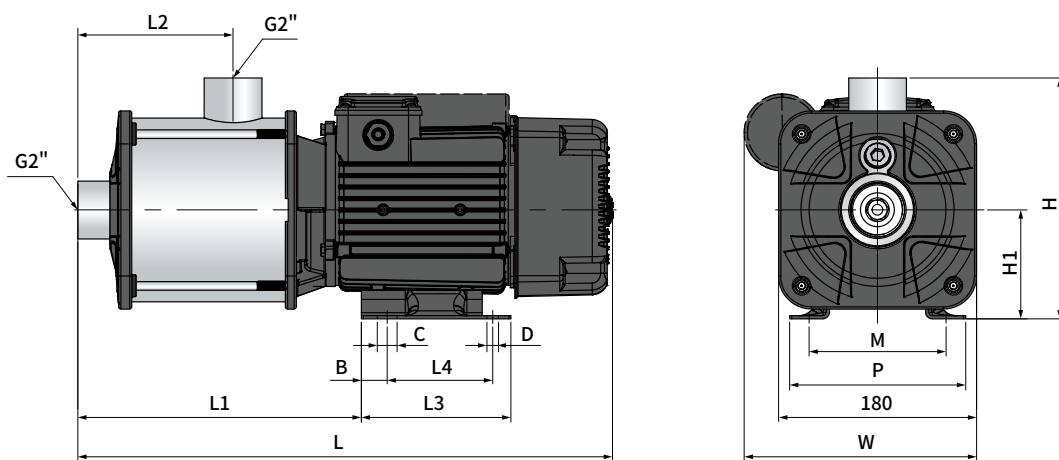
尺寸和重量 Dimension and Weight

电机 Motor	型号 Model	尺寸 Dimensions(mm)											重量 Weight (kg)		
		C	B	D	L	L1	L2	L3	L4	H	H1	M		P	W
三相 / 单相 Three-phase Single-phase	CHM12-1-0.75	18	23	10.5	426	198	81	136	96	219	99	125	160	-/211	17.6
	CHM12-2-1.2	18	23	10.5	426	198	81	136	96	219	99	125	160	-/211	19.5
	CHM12-3-1.8	18	23	10.5	456	228	111	136	96	219	99	125	160	-/211	22.7
三相 Three-phase	CHM12-4-2.4	-	18	12	533	275	141	175	140	220	100	160	200	-/-	28.9
	CHM12-5-3	-	18	12	563	305	171	175	140	220	100	160	200	-/-	32.1

CHM16

技术参数 Performance Data

型号 Model	功率 Power		Q m ³ /h	8	10	12	14	16	18	20	22
	kW	HP									
CHM16-1-1.1	1.1	1.5		12.8	12.5	12	11.5	10.5	9.5	8	7
CHM16-2-1.8	1.8	2.4	H (m)	26	25	24	23	21.7	20	18	15.5
CHM16-3-2.2	2.2	3		35	34	32	31	29	27	23	20



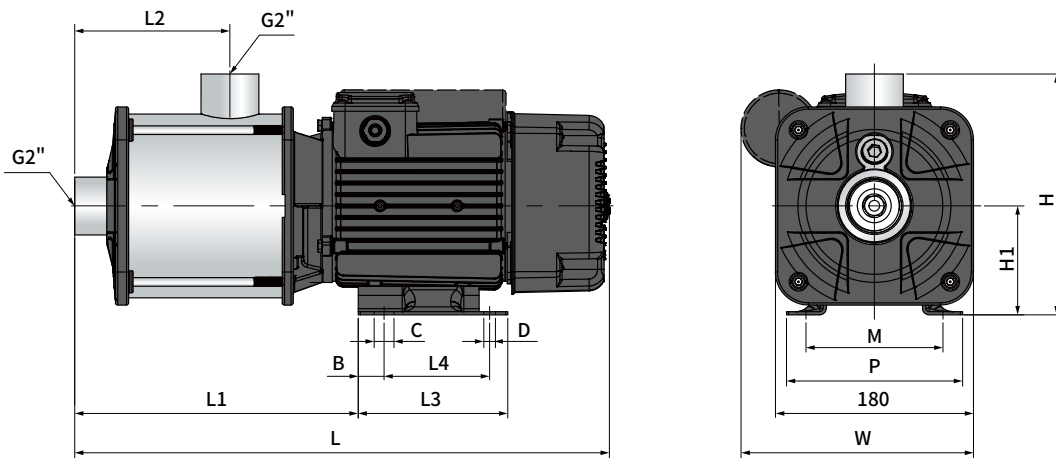
尺寸和重量 Dimension and Weight

电机 Motor	型号 Model	尺寸 Dimensions(mm)												重量 Weight (kg)	
		C	B	D	L	L1	L2	L3	L4	H	H1	M	P		W
	CHM16-1-1.1	18	23	10.5	441	213	93	136	96	219	99	125	160	-/211	17
三相 / 单相 Three-phase Single-phase	CHM16-2-1.8	18	23	10.5	441	213	93	136	96	219	99	125	160	-/211	20
	CHM16-3-2.2	18	23	10.5	486	258	138	136	96	219	99	125	160	-/211	24.1

CHM20

技术参数 Performance Data

型号 Model	功率 Power		Q m ³ /h	10	12	14	16	18	20	22	24	26	28
	kW	HP											
CHM20-1-1.1	1.1	1.5		13.5	13	12.5	12	11	10	9	8	7	6
CHM20-2-2.2	2.2	3	H (m)	27	26.5	25.5	25	23.5	22	20.5	18.5	17	14.5
CHM20-3-4T	4	5.5		39.5	39	38	37.5	35.5	34	31.5	29	26	23



尺寸和重量 Dimension and Weight

电机 Motor	型号 Model	尺寸 Dimensions(mm)											重量 Weight (kg)		
		C	B	D	L	L1	L2	L3	L4	H	H1	M		P	W
	CHM20-1-1.1	18	23	10.5	441	213	93	136	96	219	99	125	160	-/211	18.5
三相 / 单相 Three-phase Single-phase	CHM20-2-2.2	18	23	10.5	441	213	93	136	96	219	99	125	160	-/211	23.1
	CHM20-3-4T	-	18	12	534	247	138	175	140	220	100	160	200	-/-	34



供水系统
Water supply system



工业增压
Industrial boosting



工业液体输送
Industrial liquid conveying



水处理系统
Water Treatment



灌溉系统
Irrigation system

CDL/CDLF

立式不锈钢多级离心泵

Vertical Stainless Steel Multistage Centrifugal Pump



CDL
(变频 / Inverter)

CDLF
(变频 / Inverter)

CDL

CDLF

产品用途

CDL(F) 系列立式不锈钢多级离心泵，可以输送从自来水到工业液体的各种不同介质，结构紧凑运行稳定，运行噪音低，水泵效率高达 44-77%，CDL 系列适用于无腐蚀性液体，CDLF 系列过水部件全部为不锈钢 AISI304 材质，适用于对洁净度要求高或轻度腐蚀性液体。

广泛应用于：

1. 供水系统：水厂过滤与输送、主管增压、高层建筑增压；
2. 工业增压：流程水系统、清洗系统、高压冲洗系统、消防系统；
3. 工业液体输送：冷却和空调系统、锅炉给水和冷凝系统、机床配套；
4. 水处理系统：超滤系统、反渗透系统、蒸馏系统、分离器、游泳池；
5. 灌溉系统：农田喷灌滴灌；

Application

CDL(F)-Series Vertical Stainless Steel Multistage Centrifugal Pump is used to deliver various medium from tap water to industrial liquid, which is with compact structure and stable working, low operating noise, efficiency up to 44-70%. The CDL series is suitable for non corrosive liquids, while the CDLF series water passing components are all made of stainless steel AISI304 material and suitable for liquids with high cleanliness requirements or mild corrosive liquid.

CDL (F) multistage pump is widely used in:

1. Water supply: Water filter and transport in Waterworks, boosting of main pipeline, boosting in high-rise buildings.
2. Industrial boosting: Process flow water system, cleaning system, high-pressure washing system, fire fighting system.
3. Industrial liquid conveying: Cooling and air-conditioning system, boiler water supply and condensing system, machine-associated purpose
4. Water treatment: Ultra-filtration system, reverse osmosis system, distillation system, separator, swimming pool
5. Irrigation: Farmland irrigation, spray irrigation, dripping irrigation.

使用条件

1. 介质温度：-15~105°C
2. 最大环境温度：+45°C
3. 最大工作压力：25 Bar
4. 介质物理性状：

- 清水及类似于水的液体（无纤维，固体颗粒直径 ≤ 2mm 且比例 ≤ 3%）
- 轻腐蚀液体（PH 值 5-9）

5. 海拔高度高于 1000 米，以及介质粘度大于清水，需加大水泵余量以避免电机过热

Working Conditions

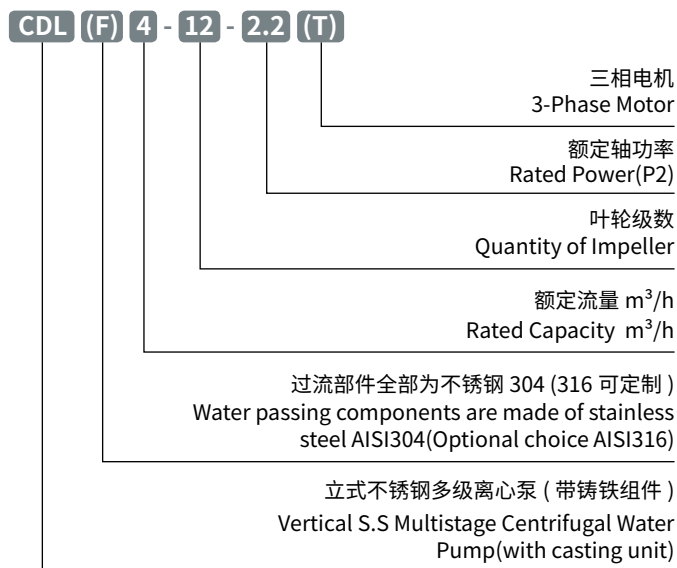
1. Liquid Temperature: -15~105°C
2. Maximum Ambient Temperature: +45°C
3. Maximum Pressure: 25 Bar
4. Medium Physical Properties:

- Clean water or similar water liquid (without fiber, suspends solid within 3% and diameter within 2mm)
- Mild corrosive liquid (PH 5-9)

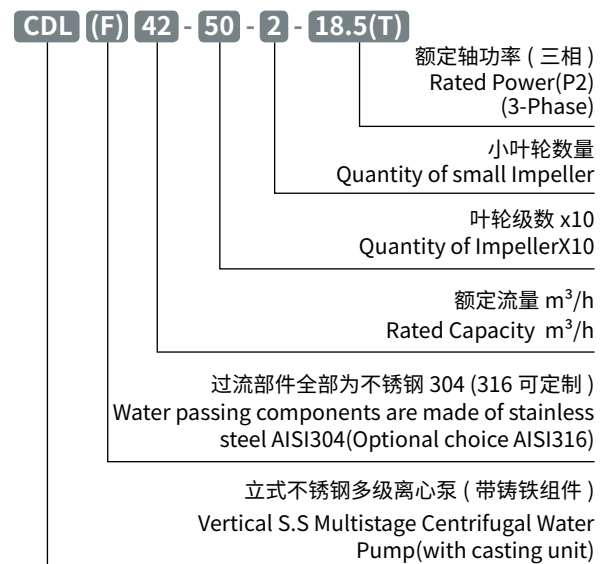
5. If the altitude is higher than 1000 meters and the viscosity of the medium is greater than that of clean water, it is necessary to increase the margin of the water pump to avoid overheating of the motor.

型号定义 Model Definition

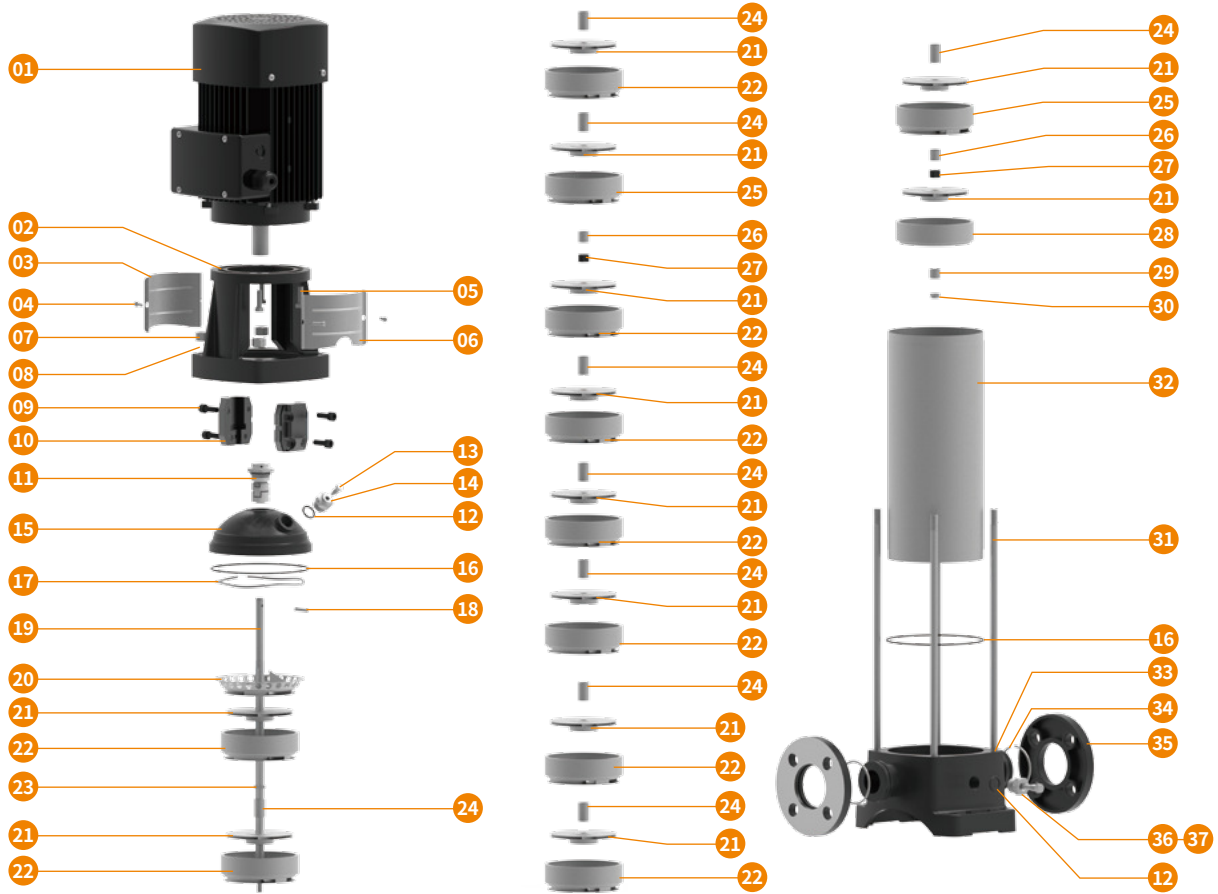
CDL(F)1~20



CDL(F)32~85



CDL 零部件分解图 Exploded View Of Main Component

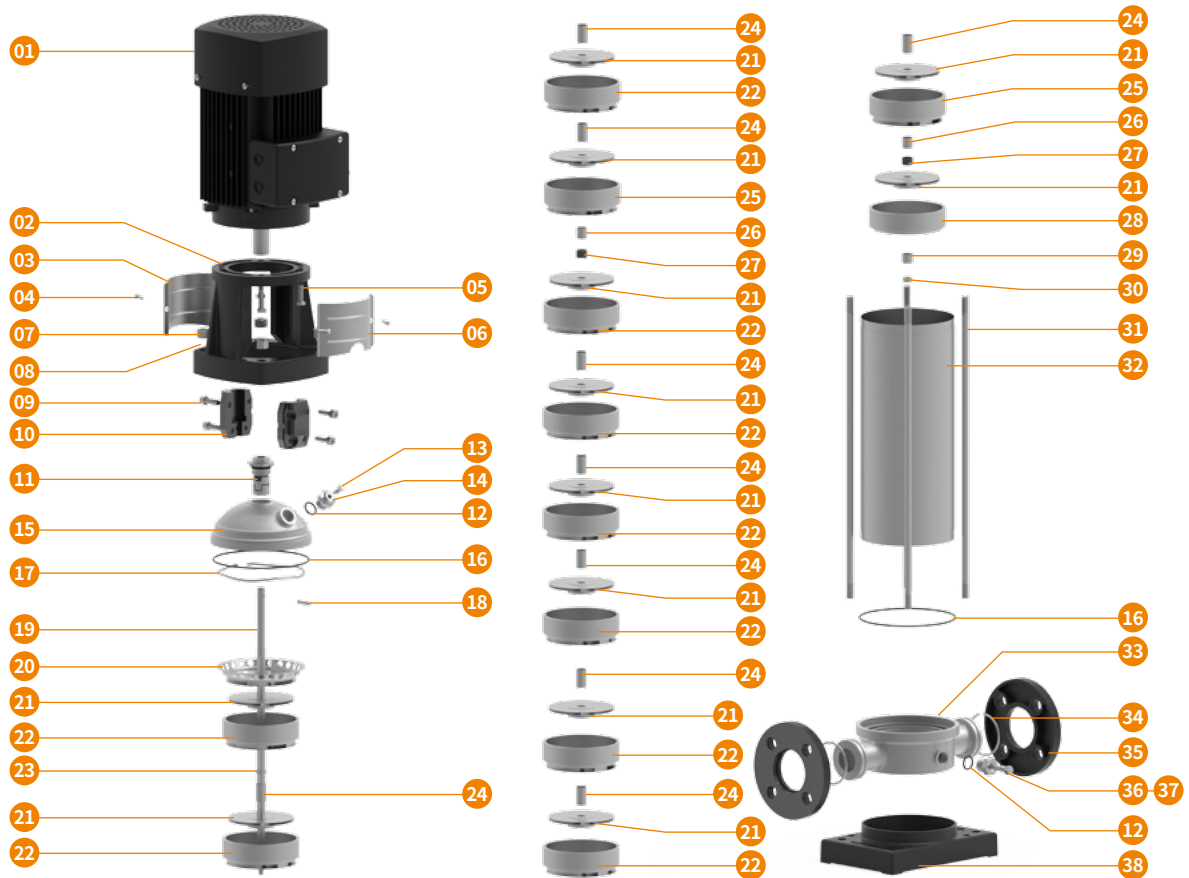


主零部件清单 List Of Main Component

序号 No.	零件名称 Component	材料 Materials	序号 No.	零件名称 Component	材料 Material	序号 No.	零件名称 Component	材料 Material
01	电机 Motor	IE2/IE3	14	丝堵 Plug	AISI304	27	钨钢轴套 Tungsten Steel Shaft Sleeve	钨钢 Tungsten Steel
02	电机座 Motor Housing	HT200	15	球形内衬 Spheroidal Lining	HT200	28	进口导流器 Inlet Diffuser	AISI304
03	保护片 (不开口) Protective Chip (Without Opening)	AISI304	16	O形圈 O-ring	丁腈 NBR	29	末级轴套 Final Stage Shaft Sleeve	AISI304
04	十字带垫螺丝 Screw	AISI304	17	波形弹簧 Spring Washer	AISI304	30	防松螺母 Locknut	AISI304
05	六角螺丝 Screw	AISI304	18	圆柱销 Cylindrical Pin	AISI304	31	拉杆 Drawbar	
06	保护片 (开口) Protective Chip (With Opening)	AISI304	19	泵轴 Shaft	AISI304	32	外圆筒 Pump Body	AISI304
07	螺母 Nut	AISI304	20	出口导流器 Outlet Diffuser	AISI304	33	泵座 Pump Housing	HT200
08	平垫片 Flat Gasket	AISI304	21	叶轮 Impeller	AISI304	34	法兰防脱卡簧 Tread-off Protecting Circlip	
09	内六角螺丝 Screw		22	导流器 Diffuser	AISI304	35	活法兰 Removable Flange	HT200
10	联轴器 Coupling		23	初级轴套 First Stage Shaft Sleeve	AISI304	36	螺塞 Screw Plug	AISI304
11	机械密封 Mechanical Seal	石墨+碳化硅(集装式) Graphite+SIC(Pack type)	24	轴套 Shaft Sleeve	AISI304	37	螺杆 Bolt	AISI304
12	O形圈 O-ring		25	支撑导流器 Support Diffuser	AISI304			
13	调节螺钉 Adjusting Screw	AISI304	26	轴套 Shaft Sleeve	AISI304			

CDLF 零部件分解图

Exploded View Of Main Component



主零部件清单 List Of Main Component

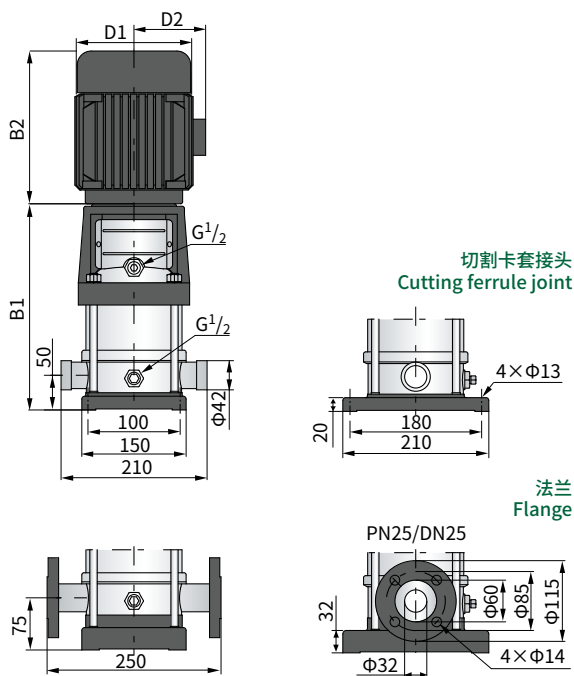
序号 No.	零件名称 Component	材料 Materials	序号 No.	零件名称 Component	材料 Material	序号 No.	零件名称 Component	材料 Material
01	电机 Motor	IE2/IE3	14	丝堵 Plug	AISI304	27	钨钢轴套 Tungsten Steel Shaft Sleeve	钨钢 Tungsten Steel
02	电机座 Motor Housing	HT200	15	球形内衬 Spheroidal Lining	AISI304	28	进口导流器 Inlet Diffuser	AISI304
03	保护片 (不开口) Protective Chip (Without Opening)	AISI304	16	O形圈 O-ring	丁腈 NBR	29	末级轴套 Final Stage Shaft Sleeve	AISI304
04	十字带垫螺丝 Screw	AISI304	17	波形弹簧 Spring Washer	AISI304	30	防松螺母 Locknut	AISI304
05	六角螺丝 Screw	AISI304	18	圆柱销 Cylindrical Pin	AISI304	31	拉杆 Drawbar	
06	保护片 (开口) Protective Chip (With Opening)	AISI304	19	泵轴 Shaft	AISI304	32	外圆筒 Pump Body	AISI304
07	螺母 Nut	AISI304	20	出口导流器 Outlet Diffuser	AISI304	33	泵座 Pump Housing	AISI304
08	平垫片 Flat Gasket	AISI304	21	叶轮 Impeller	AISI304	34	法兰防脱卡簧 Tread-off Protecting Circlip	
09	内六角螺丝 Screw		22	导流器 Diffuser	AISI304	35	活法兰 Removable Flange	HT200
10	联轴器 Coupling		23	初级轴套 First Stage Shaft Sleeve	AISI304	36	螺塞 Screw Plug	AISI304
11	机械密封 Mechanical Seal	石墨+碳化硅 (集装式) Graphite+SIC(Pack type)	24	轴套 Shaft Sleeve	AISI304	37	螺杆 Bolt	AISI304
12	O形圈 O-ring		25	支撑导流器 Support Diffuser	AISI304	38	底座 Housing	HT200
13	调节螺钉 Adjusting Screw	AISI304	26	轴套 Shaft Sleeve	AISI304			

CDL/CDLF 1

技术参数 Performance Data

型号 Model	功率 Power		Q m ³ /h	0.4	0.6	0.8	1.0	1.2	1.4	1.6	1.8	2.0
	kW	HP										
CDL(F)1-2	0.37	0.5	H (m)	1.3	12.5	12	11.5	11	10.5	10	9.5	9
CDL(F)1-3	0.37	0.5		19	18	17.5	17	16.5	16	15	14	12
CDL(F)1-4	0.37	0.5		24	23.5	23	22.5	21.5	21	19	18	16
CDL(F)1-5	0.37	0.5		30	29.6	29	28	27	26	24	22	20
CDL(F)1-6	0.37	0.5		36	35.5	35	33.5	33	31	28	26	23
CDL(F)1-7	0.37	0.5		42	41	40.5	39	38	36	33	30	27
CDL(F)1-8	0.55	0.75		48	47	46	45	43	41	38	34	30
CDL(F)1-9	0.55	0.75		54	53	52	51	49	46	43	39	33
CDL(F)1-10	0.55	0.75		60	59	58	57	54	51	48	43	36
CDL(F)1-11	0.55	0.75		66	65	63	61	59	56	52	47	40
CDL(F)1-12	0.75	1		72	71	69	67	64	61	57	51	44
CDL(F)1-13	0.75	1		78	77	75	73	69	66	62	55	47
CDL(F)1-15	0.75	1		89	88	86	84	79	76	71	63	55
CDL(F)1-17	1.1	1.5		101	99	97	95	89	86	80	71	62
CDL(F)1-19	1.1	1.5		113	110	108	106	99	96	89	79	69
CDL(F)1-21	1.1	1.5		124	122	120	117	110	106	98	87	75
CDL(F)1-23	1.1	1.5	137	133	131	128	121	116	107	96	82	
CDL(F)1-25	1.5	2	149	145	143	139	131	126	116	104	89	
CDL(F)1-27	1.5	2	161	157	155	150	141	136	125	112	95	
CDL(F)1-30	1.5	2	178	175	171	166	157	150	139	124	106	
CDL(F)1-33	2.2	3	196	192	188	183	173	165	154	137	118	
CDL(F)1-36	2.2	3	214	210	205	200	190	181	169	151	130	

尺寸和重量 Dimension and Weight

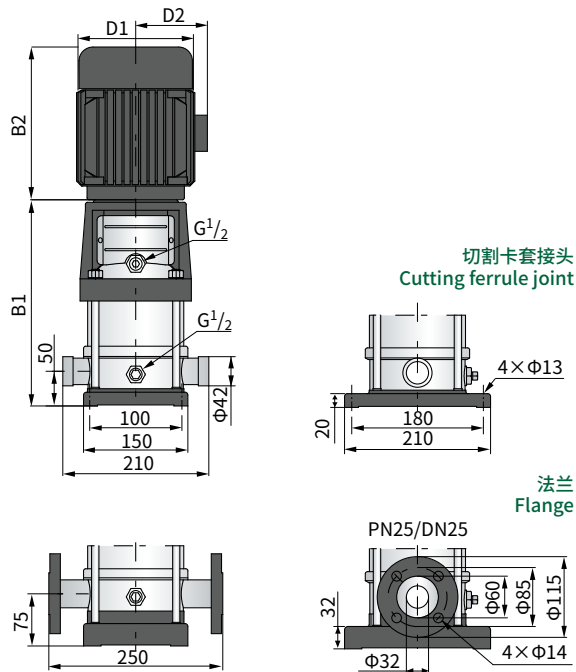


型号 Model	尺寸 Dimensions(mm)					重量 Weight (kg)
	B1	B2	B1+B2	D1	D2	
CDL(F)1-2	258	225	483	148	117	20
CDL(F)1-3	276	225	501	148	117	20
CDL(F)1-4	294	225	519	148	117	21
CDL(F)1-5	312	225	537	148	117	21
CDL(F)1-6	330	225	555	148	117	22
CDL(F)1-7	348	225	573	148	117	23
CDL(F)1-8	366	225	591	148	117	24
CDL(F)1-9	384	225	609	148	117	25
CDL(F)1-10	402	225	627	148	117	26
CDL(F)1-11	420	225	645	148	117	26
CDL(F)1-12	448	245	693	170	142	29
CDL(F)1-13	466	245	711	170	142	30
CDL(F)1-15	502	245	747	170	142	31
CDL(F)1-17	538	245	783	170	142	33
CDL(F)1-19	574	245	819	170	142	34
CDL(F)1-21	610	245	855	170	142	35
CDL(F)1-23	646	245	891	170	142	36
CDL(F)1-25	692	290	982	190	155	42
CDL(F)1-27	728	290	1018	190	155	43
CDL(F)1-30	782	290	1072	190	155	45
CDL(F)1-33	836	290	1126	190	155	49
CDL(F)1-36	890	290	1180	190	155	51

CDL/CDLF 2

技术参数 Performance Data

型号 Model	功率 Power		Q m ³ /h	1	1.2	1.6	2.0	2.4	2.8	3.2	3.5
	kW	HP									
CDL(F)2-2	0.37	0.5	H (m)	18	17	16	15	13	12	10	8
CDL(F)2-3	0.37	0.5		27	26	24	22	20	18	15	12
CDL(F)2-4	0.55	0.75		36	35	33	30	26	24	20	16
CDL(F)2-5	0.55	0.75		45	43	40	37	33	30	24	20
CDL(F)2-6	0.75	1		53	52	50	45	40	36	30	24
CDL(F)2-7	0.75	1		63	61	57	52	47	41	35	28
CDL(F)2-9	1.1	1.5		80	78	73	67	61	54	45	37
CDL(F)2-11	1.1	1.5		98	95	89	82	73	64	54	44
CDL(F)2-13	1.5	2		116	114	106	98	89	78	65	52
CDL(F)2-15	1.5	2		134	130	123	112	100	90	73	60
CDL(F)2-18	2.2	3		161	157	148	136	121	108	91	76
CDL(F)2-22	2.2	3		197	192	180	165	148	130	110	90
CDL(F)2-26	3.0	4	232	228	214	198	179	158	130	110	



尺寸和重量 Dimension and Weight

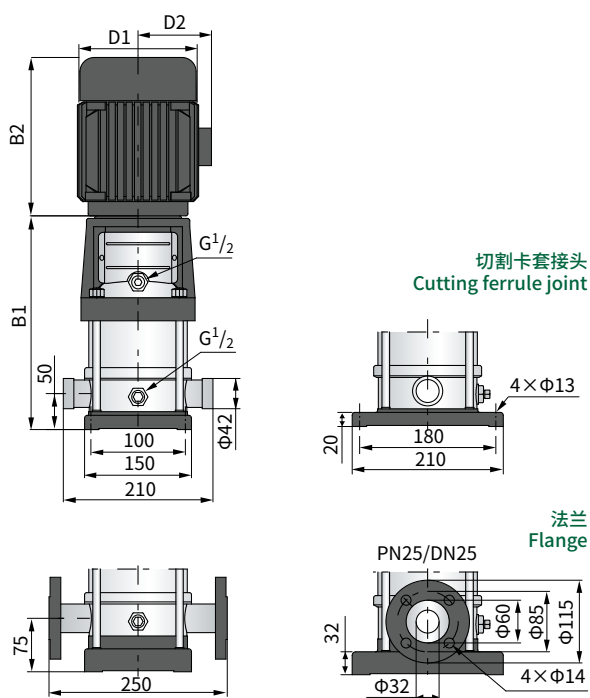
型号 Model	尺寸 Dimensions(mm)					重量 Weight (kg)
	B1	B2	B1+B2	D1	D2	
CDL(F)2-2	258	225	483	148	117	20
CDL(F)2-3	276	225	501	148	117	20
CDL(F)2-4	294	225	519	148	117	22
CDL(F)2-5	312	225	537	148	117	23
CDL(F)2-6	340	245	585	170	142	26
CDL(F)2-7	358	245	603	170	142	26
CDL(F)2-9	394	245	639	170	142	28
CDL(F)2-11	430	245	675	170	142	29
CDL(F)2-13	476	290	766	190	155	35
CDL(F)2-15	512	290	802	190	155	36
CDL(F)2-18	566	290	856	190	155	41
CDL(F)2-22	638	290	928	190	155	42
CDL(F)2-26	720	345	1065	197	165	52

CDL/CDLF 3

技术参数 Performance Data

型号 Model	功率 Power		Q m ³ /h	1.2	1.6	2.0	2.4	2.8	3.0	3.2	3.6	4.0
	kW	HP										
CDL(F)3-2	0.37	0.5	H (m)	12.5	11.5	11	10.5	10	9	8	7	6
CDL(F)3-3	0.37	0.5		19	18.5	17.5	16.5	15	14	13	11	9
CDL(F)3-4	0.37	0.5		25	24	23	21.5	20	19	18	15	12
CDL(F)3-5	0.37	0.5		31	30	29	27	25	23	22	19	16
CDL(F)3-6	0.55	0.75		36	35	34	32	30	28	27	23	19
CDL(F)3-7	0.55	0.75		43	41	39	37	34	32	31	27	22
CDL(F)3-8	0.75	1		49	47	45	43	39	37	35	31	25
CDL(F)3-9	0.75	1		55	53	51	48	45	42	40	35	28
CDL(F)3-10	0.75	1		61	59	57	54	50	47	45	39	31
CDL(F)3-11	1.1	1.5		67	64	61	58	54	51	49	42	34
CDL(F)3-12	1.1	1.5		73	70	67	63	58	55	52	45	37
CDL(F)3-13	1.1	1.5		78	76	73	69	64	60	57	49	40
CDL(F)3-15	1.1	1.5		90	88	84	79	73	69	66	57	46
CDL(F)3-17	1.5	2		103	100	96	90	83	79	75	64	52
CDL(F)3-19	1.5	2		115	112	107	100	92	88	83	72	58
CDL(F)3-21	2.2	3		128	124	119	112	102	98	91	79	64
CDL(F)3-23	2.2	3		140	135	130	122	112	107	100	86	70
CDL(F)3-25	2.2	3		151	147	141	131	122	116	109	94	76
CDL(F)3-27	2.2	3		164	159	152	143	132	124	117	101	82
CDL(F)3-29	2.2	3		175	170	163	153	142	133	126	109	88
CDL(F)3-31	3.0	4		187	182	175	165	153	142	135	116	94
CDL(F)3-33	3.0	4		199	194	187	176	163	151	145	125	100
CDL(F)3-36	3.0	4		218	212	204	192	178	168	159	137	109

尺寸和重量 Dimension and Weight



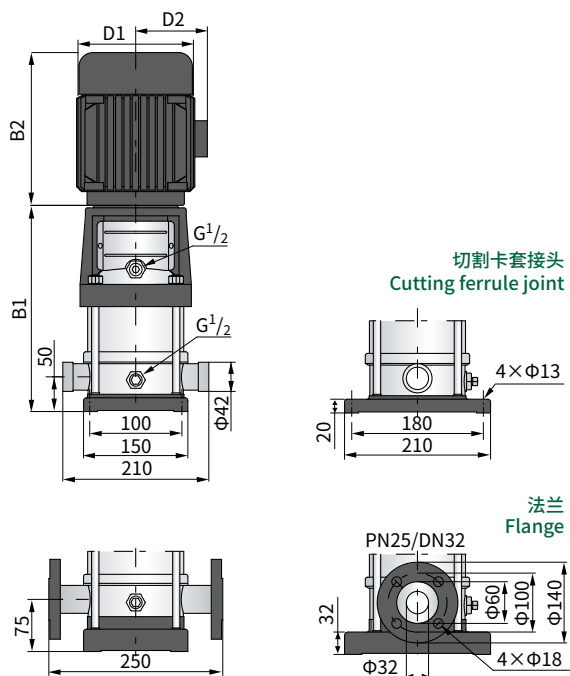
型号 Model	尺寸 Dimensions(mm)					重量 Weight (kg)
	B1	B2	B1+B2	D1	D2	
CDL(F)3-2	258	225	483	148	117	20
CDL(F)3-3	276	225	501	148	117	20
CDL(F)3-4	294	225	519	148	117	21
CDL(F)3-5	312	225	537	148	117	21
CDL(F)3-6	330	225	555	148	117	23
CDL(F)3-7	348	225	573	148	117	24
CDL(F)3-8	376	245	621	170	142	27
CDL(F)3-9	394	245	639	170	142	28
CDL(F)3-10	412	245	657	170	142	28
CDL(F)3-11	430	245	675	170	142	29
CDL(F)3-12	448	245	693	170	142	30
CDL(F)3-13	466	245	711	170	142	31
CDL(F)3-15	502	245	747	170	142	32
CDL(F)3-17	548	290	838	190	155	38
CDL(F)3-19	584	290	874	190	155	39
CDL(F)3-21	620	290	910	190	155	42
CDL(F)3-23	656	290	946	190	155	43
CDL(F)3-25	692	290	982	190	155	44
CDL(F)3-27	728	290	1018	190	155	45
CDL(F)3-29	764	290	1054	190	155	46
CDL(F)3-31	810	345	1155	197	165	54
CDL(F)3-33	846	345	1191	197	165	55
CDL(F)3-36	900	345	1245	197	165	57

CDL/CDLF 4

技术参数 Performance Data

型号 Model	功率 Power		Q m ³ /h	1.5	2.0	3.0	4.0	5.0	6.0	7.0
	kW	HP								
CDL(F)4-2	0.37	0.5	H (m)	19	18	17	15	13	10	8
CDL(F)4-3	0.55	0.75		28	27	26	24	20	18	13
CDL(F)4-4	0.75	1		38	36	34	32	27	24	19
CDL(F)4-5	1.1	1.5		47	45	43	40	34	31	23
CDL(F)4-6	1.1	1.5		56	54	52	48	41	37	28
CDL(F)4-7	1.5	2		66	63	61	56	48	43	33
CDL(F)4-8	1.5	2		74	72	70	64	55	50	38
CDL(F)4-10	2.2	3		96	90	87	81	71	62	48
CDL(F)4-12	2.2	3		114	108	104	95	85	75	58
CDL(F)4-14	3.0	4		136	126	122	112	101	89	68
CDL(F)4-16	3.0	4		152	144	140	129	115	101	78
CDL(F)4-19	4.0	5.5		183	171	168	153	137	122	93
CDL(F)4-22	4.0	5.5	211	200	192	178	160	138	108	

尺寸和重量 Dimension and Weight



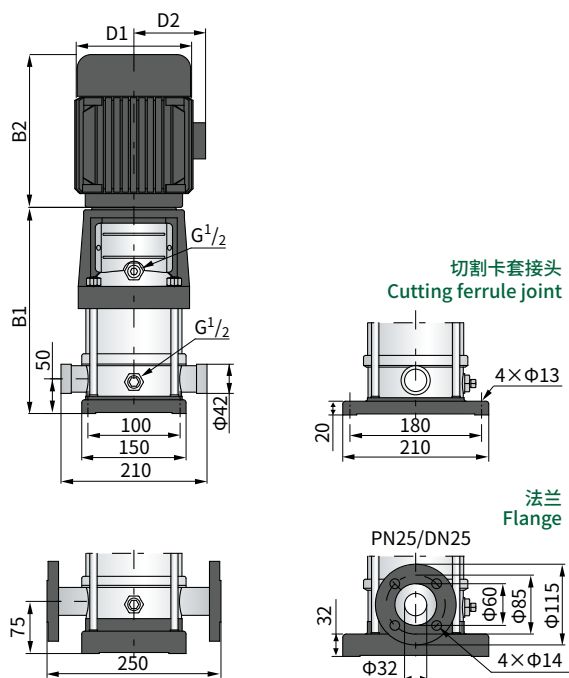
型号 Model	尺寸 Dimensions(mm)					重量 Weight (kg)
	B1	B2	B1+B2	D1	D2	
CDL(F)4-2	276	225	501	148	117	21
CDL(F)4-3	303	225	528	148	117	22
CDL(F)4-4	340	245	585	170	142	25
CDL(F)4-5	367	245	612	170	142	27
CDL(F)4-6	394	245	639	170	142	27
CDL(F)4-7	431	290	721	190	155	33
CDL(F)4-8	458	290	748	190	155	33
CDL(F)4-10	512	290	802	190	155	37
CDL(F)4-12	566	290	856	190	155	38
CDL(F)4-14	630	345	975	197	165	46
CDL(F)4-16	684	345	1029	197	165	48
CDL(F)4-19	765	355	1120	230	188	57
CDL(F)4-22	846	355	1201	230	188	59

CDL/CDLF 5

技术参数 Performance Data

型号 Model	功率 Power		Q m ³ /h	3.0	4.0	5.0	6.0	7.0	8.0
	kW	HP							
CDL(F)5-2	0.37	0.5	H (m)	12	11	10	9	7	
CDL(F)5-3	0.55	0.75		18	17	15	14	11	9
CDL(F)5-4	0.55	0.75		24	22	20	18	15	12
CDL(F)5-5	0.75	1		31	28	26	23	19	16
CDL(F)5-6	1.1	1.5		37	35	32	27	23	19
CDL(F)5-7	1.1	1.5		43	41	37	33	27	22
CDL(F)5-8	1.1	1.5		50	47	43	38	32	25
CDL(F)5-9	1.5	2		56	53	48	43	37	29
CDL(F)5-10	1.5	2		62	59	54	48	41	34
CDL(F)5-11	2.2	3		68	64	59	53	46	38
CDL(F)5-12	2.2	3		74	70	65	58	50	41
CDL(F)5-13	2.2	3		80	76	70	62	54	44
CDL(F)5-14	2.2	3		86	81	75	68	58	47
CDL(F)5-15	2.2	3		92	87	81	73	63	51
CDL(F)5-16	2.2	3		99	93	87	79	69	55
CDL(F)5-18	3.0	4		111	106	100	90	79	63
CDL(F)5-20	3.0	4		123	118	112	102	89	71
CDL(F)5-22	4.0	5.5		135	130	123	112	99	79
CDL(F)5-24	4.0	5.5		147	142	134	122	107	87
CDL(F)5-26	4.0	5.5		159	155	146	133	116	94
CDL(F)5-29	4.0	5.5		181	174	164	149	131	107
CDL(F)5-32	5.5	7.5		200	193	181	164	145	120
CDL(F)5-36	5.5	7.5		227	219	205	188	165	138

尺寸和重量 Dimension and Weight



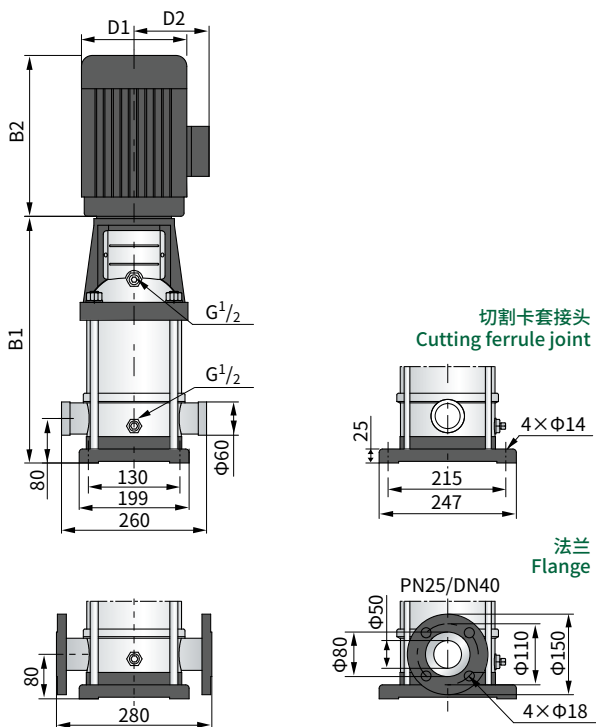
型号 Model	尺寸 Dimensions(mm)					重量 Weight (kg)
	B1	B2	B1+B2	D1	D2	
CDL(F)5-2	276	225	501	148	117	26
CDL(F)5-3	303	225	528	148	117	27
CDL(F)5-4	330	225	555	148	117	27
CDL(F)5-5	367	245	612	170	142	28
CDL(F)5-6	394	245	639	170	142	29
CDL(F)5-7	421	245	666	170	142	29
CDL(F)5-8	448	245	693	170	142	30
CDL(F)5-9	485	290	775	190	155	35
CDL(F)5-10	512	290	802	190	155	36
CDL(F)5-11	539	290	829	190	155	40
CDL(F)5-12	566	290	856	190	155	41
CDL(F)5-13	593	290	883	190	155	41
CDL(F)5-14	620	290	910	190	155	42
CDL(F)5-15	647	290	937	190	155	42
CDL(F)5-16	684	290	974	190	155	43
CDL(F)5-18	738	345	1083	197	165	50
CDL(F)5-20	782	345	1127	197	165	51
CDL(F)5-22	846	355	1201	230	188	59
CDL(F)5-24	900	355	1255	230	188	60
CDL(F)5-26	954	355	1309	230	188	61
CDL(F)5-29	1035	355	1390	230	188	63
CDL(F)5-32	1136	390	1526	260	208	85
CDL(F)5-36	1244	390	1634	260	208	87

CDL/CDLF 8

技术参数 Performance Data

型号 Model	功率 Power		Q m ³ /h	5.0	6.0	7.0	8.0	9.0	10	11	12
	kW	HP									
CDL(F)8-2/1	0.75	1	H (m)	10	9.5	9.3	9	8.5	8	7	6
CDL(F)8-2	0.75	1		20	19.5	19	18	17	16	14	13
CDL(F)8-3	1.1	1.5		30	29.5	28.5	27	25	24	21	19
CDL(F)8-4	1.5	2		41	39.5	38	36	34	32	28	26
CDL(F)8-5	2.2	3		52	50	48	45	42	40	36	32
CDL(F)8-6	2.2	3		62	60	57	54	51	48	43	39
CDL(F)8-8	3.0	4		83	80	77	73	69	65	58	52
CDL(F)8-10	4.0	5.5		104	100	97	92	87	81	73	65
CDL(F)8-12	4.0	5.5		124	120	116	111	104	92	87	78
CDL(F)8-14	5.5	7.5		145	141	136	130	122	113	102	92
CDL(F)8-16	5.5	7.5		166	161	156	148	139	130	118	106
CDL(F)8-18	7.5	10		187	182	175	167	157	146	134	120
CDL(F)8-20	7.5	10	208	202	195	186	175	163	150	135	

尺寸和重量 Dimension and Weight



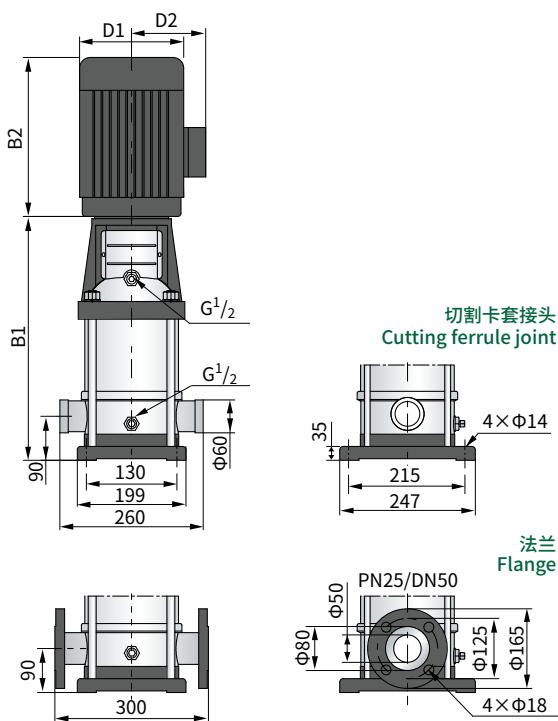
型号 Model	尺寸 Dimensions(mm)					重量 Weight (kg)
	B1	B2	B1+B2	D1	D2	
CDL(F)8-2/1	347	245	592	170	142	32
CDL(F)8-2	347	245	592	170	142	32
CDL(F)8-3	377	245	622	170	142	34
CDL(F)8-4	417	290	707	190	155	40
CDL(F)8-5	447	290	737	190	155	44
CDL(F)8-6	477	290	767	190	155	45
CDL(F)8-8	547	345	892	197	165	53
CDL(F)8-10	607	355	962	230	188	64
CDL(F)8-12	667	355	1022	230	188	66
CDL(F)8-14	747	390	1137	260	208	81
CDL(F)8-16	807	390	1197	260	208	84
CDL(F)8-18	867	390	1257	260	208	93
CDL(F)8-20	927	390	1317	260	208	94

CDL/CDLF 12

技术参数 Performance Data

型号 Model	功率 Power		Q m ³ /h	7.0	8.0	9.0	10	11	12	13	14	15	16
	kW	HP											
CDL(F)12-2	1.5	2	H (m)	23.5	23	22.5	22	21	20	18.5	17	15.5	14
CDL(F)12-3	2.2	3		35.5	35	34	33	31.5	30	28	26	23.5	21
CDL(F)12-4	3	4		47	46	45	44	42	40	37	34	31	28
CDL(F)12-5	3	4		59.5	58	56.5	55	52.5	50	46.5	43	39	35
CDL(F)12-6	4	5.5		71.5	70	68	66	63	60	56	52	47	42
CDL(F)12-7	5.5	7.5		83.5	82	79.5	77	73.5	70	65.5	61	55	49
CDL(F)12-8	5.5	7.5		95.5	94	91	88	84	80	75	70	63	56
CDL(F)12-9	5.5	7.5		108	106	103	100	95.5	91	85	79	71.5	64
CDL(F)12-10	7.5	10		120	118	114.5	111	106	101	94.5	88	80	72
CDL(F)12-12	7.5	10		143.5	141	137	133	127	121	113.5	106	96	86
CDL(F)12-14	11	15		168	165	160	155	148	141	132.5	124	112	100
CDL(F)12-16	11	15		192.5	189	183.5	178	170	162	152	142	128.5	115
CDL(F)12-18	11	15	217	213	207.5	202	192.5	183	171.5	160	145	130	

尺寸和重量 Dimension and Weight

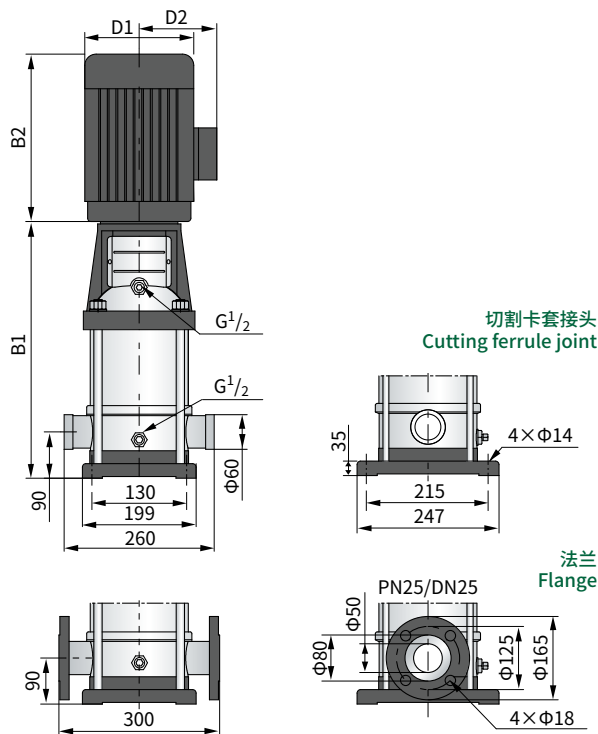


型号 Model	尺寸 Dimensions(mm)					重量 Weight (kg)
	B1	B2	B1+B2	D1	D2	
CDL(F)12-2	367	290	657	190	155	39
CDL(F)12-3	397	290	687	190	155	43
CDL(F)12-4	437	345	782	197	165	51
CDL(F)12-5	467	345	812	197	165	53
CDL(F)12-6	497	355	852	230	188	61
CDL(F)12-7	547	390	937	260	208	73
CDL(F)12-8	577	390	967	260	208	74
CDL(F)12-9	607	390	997	260	208	76
CDL(F)12-10	637	390	1027	260	208	83
CDL(F)12-12	697	390	1087	260	208	87
CDL(F)12-14	845	500	1345	330	255	157
CDL(F)12-16	905	500	1405	330	255	161
CDL(F)12-18	965	500	1465	330	255	164

CDL/CDLF 16

技术参数 Performance Data

型号 Model	功率 Power		Q m ³ /h	8.0	10	12	14	16	18	20	22
	kW	HP									
CDL(F)16-2	2.2	3		27	26	25	24	22	21	19	16
CDL(F)16-3	3.0	4		41	40	38	37	34	32	29	25
CDL(F)16-4	4.0	5.5		54	53	52	49	46	43	38	34
CDL(F)16-5	5.5	7.5		68	67	65	62	58	54	48	43
CDL(F)16-6	5.5	7.5		82	80	78	74	70	64	58	52
CDL(F)16-7	7.5	10	H (m)	96	95	91	87	82	76	68	61
CDL(F)16-8	7.5	10		110	108	104	99	94	86	77	70
CDL(F)16-10	11	15		138	136	131	125	118	109	97	87
CDL(F)16-12	11	15		166	162	157	150	141	130	116	105
CDL(F)16-14	15	20		194	190	184	175	166	152	136	122
CDL(F)16-16	15	20		222	217	210	200	189	174	156	140



尺寸和重量 Dimension and Weight

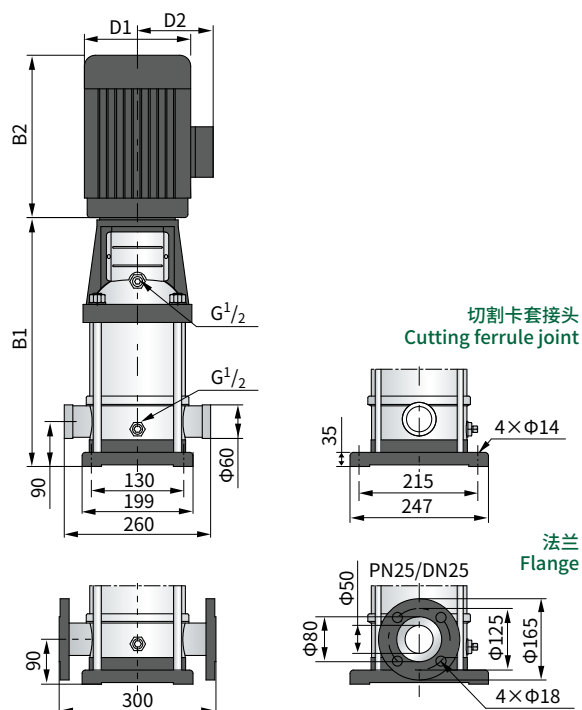
型号 Model	尺寸 Dimensions(mm)					重量 Weight (kg)
	B1	B2	B1+B2	D1	D2	
CDL(F)16-2	397	290	687	190	155	42
CDL(F)16-3	452	345	797	197	165	50
CDL(F)16-4	497	355	852	230	188	59
CDL(F)16-5	562	390	952	260	208	76
CDL(F)16-6	607	390	997	260	208	77
CDL(F)16-7	652	390	1042	260	208	84
CDL(F)16-8	697	390	1087	260	208	86
CDL(F)16-10	875	500	1375	330	255	158
CDL(F)16-12	965	500	1465	330	255	161
CDL(F)16-14	1055	500	1555	330	255	174
CDL(F)16-16	1145	500	1645	330	255	178

CDL/CDLF 20

技术参数 Performance Data

型号 Model	功率 Power		Q m ³ /h	10	12	14	16	18	20	22	24	26	28
	kW	HP											
CDL(F)20-1	1.1	1.5	H (m)	13.5	13	12.5	12	11	10	9	8	7	6
CDL(F)20-2	2.2	3		27	26.5	26	25	24	23	22	20	18	15
CDL(F)20-3	4.0	5.5		40	39.5	39	38	37	35	33	30	27	24
CDL(F)20-4	5.5	7.5		54	53	52	51	49	47	44	41	37	33
CDL(F)20-5	5.5	7.5		67	66	64	62	60	58	55	50	45	40
CDL(F)20-6	7.5	10		81	79	77	75	73	70	66	61	55	49
CDL(F)20-7	7.5	10		95	93	91	89	86	82	77	71	65	58
CDL(F)20-8	11	15		109	107	105	102	99	94	89	82	75	67
CDL(F)20-10	11	15		136	134	131	128	124	118	111	103	95	85
CDL(F)20-12	15	20		164	162	158	154	149	142	133	124	114	102
CDL(F)20-14	15	20		192	189	185	180	174	166	156	145	133	119
CDL(F)20-17	18.5	25		234	230	225	219	212	202	190	177	162	145

尺寸和重量 Dimension and Weight



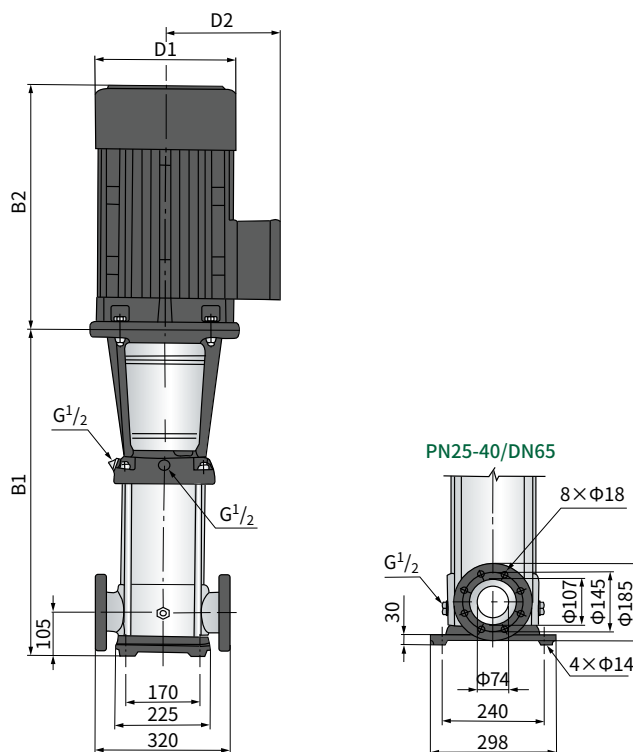
型号 Model	尺寸 Dimensions(mm)					重量 Weight (kg)
	B1	B2	B1+B2	D1	D2	
CDL(F)20-1	387	245	632	170	142	33
CDL(F)20-2	397	290	687	190	155	42
CDL(F)20-3	452	355	807	230	188	58
CDL(F)20-4	517	390	907	260	208	74
CDL(F)20-5	562	390	952	260	208	76
CDL(F)20-6	607	390	997	260	208	82
CDL(F)20-7	652	390	1042	260	208	84
CDL(F)20-8	785	500	1285	330	255	153
CDL(F)20-10	875	500	1375	330	255	157
CDL(F)20-12	965	500	1465	330	255	170
CDL(F)20-14	1055	500	1555	330	255	172
CDL(F)20-17	1190	550	1740	330	255	195

CDL/CDLF 32

技术参数 Performance Data

型号 Model	功率 Power		Q m ³ /h	16	20	24	28	32	36	40
	kW	HP								
CDL(F)32-10-1	1.5	2	H (m)	14	13	12	11	9	7	4
CDL(F)32-10	2.2	3		18	17	15	14	13	11	8
CDL(F)32-20-2	3.0	4		29	28	26	23	20	16	11
CDL(F)32-20	4.0	5.5		36	34	32	29	27	23	18
CDL(F)32-20-2	5.5	7.5		47	44	41	38	33	28	21
CDL(F)32-30	5.5	7.5		54	51	48	44	40	35	27
CDL(F)32-40-2	7.5	10		65	62	58	53	46	40	30
CDL(F)32-40	7.5	10		72	69	65	59	53	47	37
CDL(F)32-50-2	11	15		83	79	74	68	60	52	41
CDL(F)32-50	11	15		90	86	81	74	67	59	47
CDL(F)32-60-2	11	15		101	97	90	83	74	65	51
CDL(F)32-60	11	15		108	104	97	90	81	72	57
CDL(F)32-70-2	15	20		119	114	107	98	88	78	60
CDL(F)32-70	15	20		126	121	113	105	95	85	67
CDL(F)32-80-2	15	20		136	131	123	114	102	90	71
CDL(F)32-80	15	20		144	138	130	120	109	97	77
CDL(F)32-90-2	18.5	25		154	148	140	129	117	102	82
CDL(F)32-90	18.5	25		162	156	147	136	124	109	88
CDL(F)32-100-2	18.5	25		175	166	157	146	131	115	91
CDL(F)32-100	18.5	25		182	173	164	152	138	122	98
CDL(F)32-110-2	22	30		193	184	173	164	146	128	102
CDL(F)32-110	22	30		200	191	180	168	153	135	109
CDL(F)32-120-2	22	30		211	201	189	178	160	140	113
CDL(F)32-120	22	30		218	208	196	184	167	147	120
CDL(F)32-130-2	30	40		230	218	206	193	174	153	124
CDL(F)32-130	30	40		237	225	213	200	181	160	131
CDL(F)32-140-2	30	40		247	235	222	210	189	165	135
CDL(F)32-140	30	40		255	242	229	216	196	172	142
CDL(F)32-150-2	30	40		266	253	239	224	203	178	145
CDL(F)32-150	30	40		274	260	246	231	210	185	152
CDL(F)32-160-2	30	40	284	270	255	240	218	190	156	
CDL(F)32-160	30	40	292	277	262	246	225	197	163	

CDL/CDLF 32



尺寸和重量 Dimension and Weight

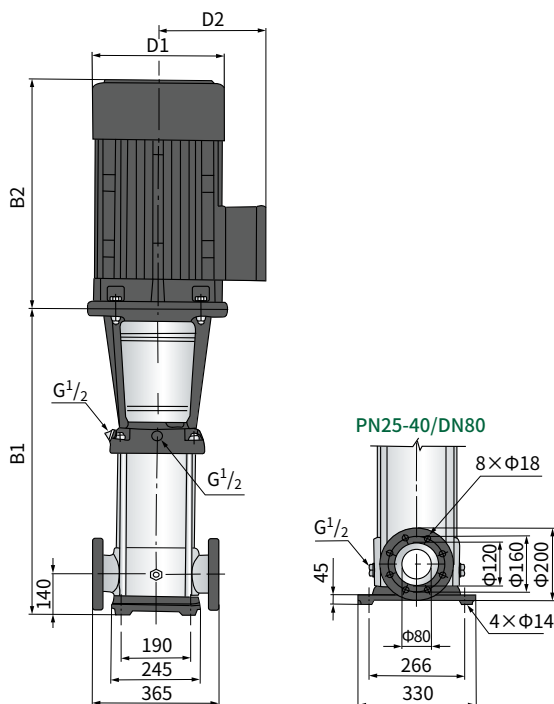
型号 Model	尺寸 Dimensions(mm)					重量 Weight (kg)
	B1	B2	B1+B2	D1	D2	
CDL(F)32-10-1/CDL(F)32-10	505	290	795	190	155	64/68
CDL(F)32-20-2/CDL(F)32-20	575	345/355	920/930	197/230	165/180	77/85
CDL(F)32-30-2/CDL(F)32-30	645	390	1035	260	208	100
CDL(F)32-40-2/CDL(F)32-40	715	390	1105	260	208	109
CDL(F)32-50-2/CDL(F)32-50	890	500	1390	330	255	181
CDL(F)32-60-2/CDL(F)32-60	960	500	1460	330	255	185
CDL(F)32-70-2/CDL(F)32-70	1030	500	1530	330	255	199
CDL(F)32-80-2/CDL(F)32-80	1100	500	1600	330	255	203
CDL(F)32-90-2/CDL(F)32-90	1170	550	1720	330	255	222
CDL(F)32-100-2/CDL(F)32-100	1240	550	1790	330	255	227
CDL(F)32-110-2/CDL(F)32-110	1310	575	1885	360	285	272
CDL(F)32-120-2/CDL(F)32-120	1380	575	1955	360	285	276
CDL(F)32-130-2/CDL(F)32-130	1450	650	2100	400	310	337
CDL(F)32-140-2/CDL(F)32-140	1520	650	2170	400	310	341
CDL(F)32-150-2/CDL(F)32-150	1590	650	2240	400	310	345
CDL(F)32-160-2/CDL(F)32-160	1660	650	2310	400	310	350

CDL/CDLF 42

技术参数 Performance Data

型号 Model	功率 Power		Q m ³ /h	25	30	35	40	42	45	50	55
	kW	HP									
CDL(F)42-10-1	3.0	4	H (m)	20	19	18	17	16	15	13	11
CDL(F)42-10	4.0	5.5		24	23	22	21	20	19	18	16
CDL(F)42-20-2	5.5	7.5		40	38	36	33	32	30	27	23
CDL(F)42-20	7.5	10		48	46	44	42	41	39	35	31
CDL(F)42-30-2	11	15		63	61	58	54	52	50	44	38
CDL(F)42-30	11	15		71	69	66	63	61	58	53	47
CDL(F)42-40-2	15	20		87	84	80	75	73	69	62	54
CDL(F)42-40	15	20		95	92	88	84	81	78	71	62
CDL(F)42-50-2	18.5	25		111	107	102	96	93	88	80	69
CDL(F)42-50	18.5	25		119	115	110	105	101	97	88	78
CDL(F)42-60-2	22	30		135	130	124	117	113	108	97	85
CDL(F)42-60	22	30		143	138	132	125	122	116	106	93
CDL(F)42-70-2	30	40		158	152	146	138	134	127	115	100
CDL(F)42-70	30	40		166	161	154	146	142	135	124	109
CDL(F)42-80-2	30	40		182	175	168	159	154	146	133	116
CDL(F)42-80	30	40		190	184	176	167	162	154	141	124
CDL(F)42-90-2	30	40		205	198	190	180	174	166	150	132

尺寸和重量 Dimension and Weight



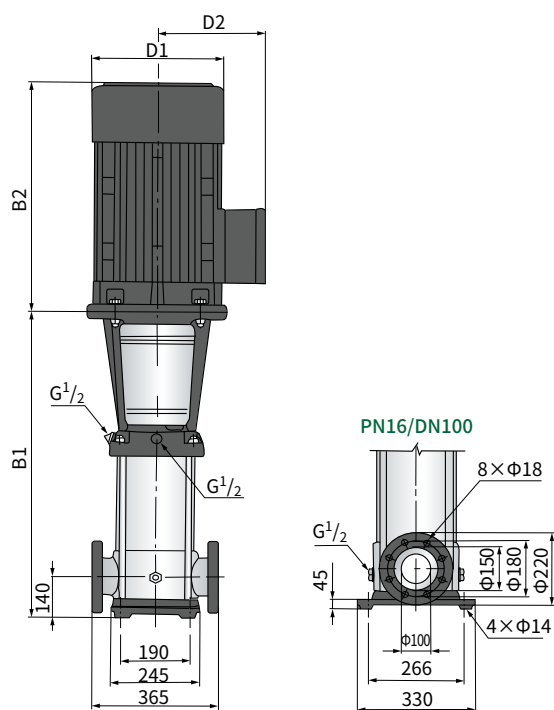
型号 Model	尺寸 Dimensions(mm)					重量 Weight (kg)
	B1	B2	B1+B2	D1	D2	
CDL(F)42-10-1	561	345/355	906/916	197/230	165/188	83/90
CDL(F)42-10	561	345/355	906/916	197/230	165/188	83/90
CDL(F)42-20-2	641	390	1031	260	208	105/110
CDL(F)42-20	641	390	1031	260	208	105/110
CDL(F)42-30-2	826	500	1326	330	255	183
CDL(F)42-30	826	500	1326	330	255	183
CDL(F)42-40-2	906	500	1406	330	255	197
CDL(F)42-40	906	500	1406	330	255	197
CDL(F)42-50-2	986	550	1536	330	255	221
CDL(F)42-50	986	550	1536	330	255	221
CDL(F)42-60-2	1066	575	1641	360	285	261
CDL(F)42-60	1066	575	1641	360	285	261
CDL(F)42-70-2	1146	650	1796	400	310	320
CDL(F)42-70	1146	650	1796	400	310	320
CDL(F)42-80-2	1226	650	1876	400	310	324
CDL(F)42-80	1226	650	1876	400	310	324
CDL(F)42-90-2	1306	650	1956	400	310	328

CDL/CDL(F) 65

技术参数 Performance Data

型号 Model	功率 Power		Q m ³ /h	30	40	50	60	65	70	80
	kW	HP								
CDL(F)65-10-1	4.0	5.5	H (m)	19	18	16	14	13	11	8
CDL(F)65-10	5.5	7.5		27	25	23	21	20	18	15
CDL(F)65-20-2	7.5	10		39	36	33	29	26	23	17
CDL(F)65-20-1	11	15		46	44	40	36	33	30	24
CDL(F)65-20	11	15		53	51	47	43	40	37	30
CDL(F)65-30-2	15	20		66	62	56	50	46	41	32
CDL(F)65-30-1	15	20		73	69	63	57	53	48	39
CDL(F)65-30	18.5	25		80	76	70	64	60	55	46
CDL(F)65-40-2	18.5	25		92	87	80	71	66	60	47
CDL(F)65-40-1	22	30		100	94	87	78	73	67	54
CDL(F)65-40	22	30		107	101	94	85	80	74	61
CDL(F)65-50-2	30	40		121	114	105	95	88	80	64
CDL(F)65-50-1	30	40		128	121	112	102	95	87	71
CDL(F)65-50	30	40		136	129	119	109	102	94	78
CDL(F)65-60-2	30	40		150	142	131	118	110	101	81

尺寸和重量 Dimension and Weight



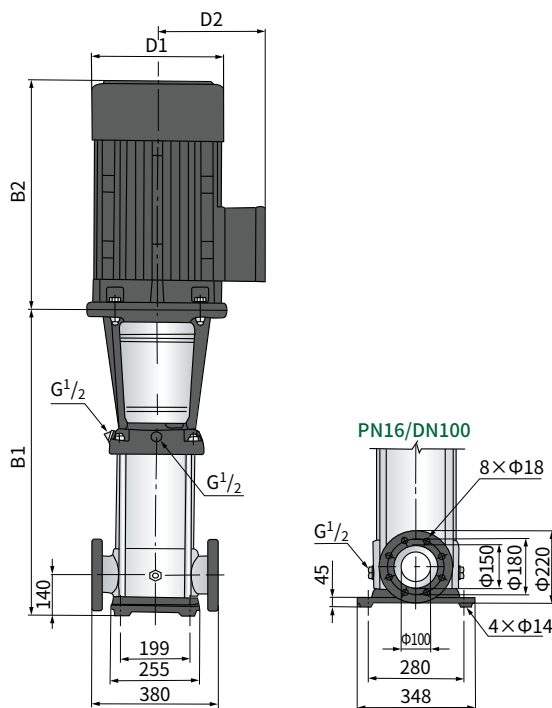
型号 Model	尺寸 Dimensions(mm)					重量 Weight (kg)
	B1	B2	B1+B2	D1	D2	
CDL(F)65-10-1	561	355	916	230	188	93
CDL(F)65-10	561	390	951	260	208	105
CDL(F)65-20-2	644	390	1034	260	208	110
CDL(F)65-20-1	754	500	1254	330	255	182
CDL(F)65-20	754	500	1254	330	255	182
CDL(F)65-30-2	836	500	1336	330	255	196
CDL(F)65-30-1	836	500	1336	330	255	197
CDL(F)65-30	836	550	1386	330	255	221
CDL(F)65-40-2	919	550	1469	330	255	225
CDL(F)65-40-1	919	575	1494	360	285	258
CDL(F)65-40	919	575	1494	360	285	258
CDL(F)65-50-2	1001	650	1651	400	310	319
CDL(F)65-50-1	1001	650	1651	400	310	319
CDL(F)65-50	1001	650	1651	400	310	320
CDL(F)65-60-2	1084	650	1734	400	310	325

CDL/CDL(F) 85

技术参数 Performance Data

型号 Model	功率 Power		Q m ³ /h	50	60	70	80	85	90	100	110
	kW	HP									
CDL(F)85-10-1	5.5	7.5	H (m)	22	19	17	16	14	13	10	6
CDL(F)85-10	7.5	10		25	24	22	21	20	19	16	12
CDL(F)85-20-2	11	15		41	39	36	32	30	28	22	15
CDL(F)85-20	15	20		53	50	47	44	41	40	36	30
CDL(F)85-30-2	18.5	25		68	65	60	55	52	49	41	32
CDL(F)85-30	22	30		81	77	72	67	64	62	55	48
CDL(F)85-40-2	30	40		98	93	87	80	75	72	62	50
CDL(F)85-40	30	40		110	105	100	92	86	84	76	66

尺寸和重量 Dimension and Weight



型号 Model	尺寸 Dimensions(mm)					重量 Weight (kg)
	B1	B2	B1+B2	D1	D2	
CDL(F)85-10-1	571	390	961	260	208	105
CDL(F)85-10	571	390	961	260	208	110
CDL(F)85-20-2	773	500	1273	330	255	181
CDL(F)85-20	773	500	1273	330	255	192
CDL(F)85-30-2	865	550	1415	330	255	215
CDL(F)85-30	865	575	1440	360	285	252
CDL(F)85-40-2	957	650	1607	400	310	312
CDL(F)85-40	957	650	1607	400	310	312



只需好用 EXCELLENCE IN USE



微 信 公 众 号

福建泉昇水泵有限公司
FUJIAN RISEFULL PUMP CO.,LTD.

地址:福建省福安市甘棠工业区工贸路17号

Add: No.17 Industrial Road, Gantang, Fu'an, Fujian, China

电话/Tel:0086-593-6318005/6318007 传真/Fax:0086-593-6318009

E-mail: info@risefull.com

www.risefull.com

